

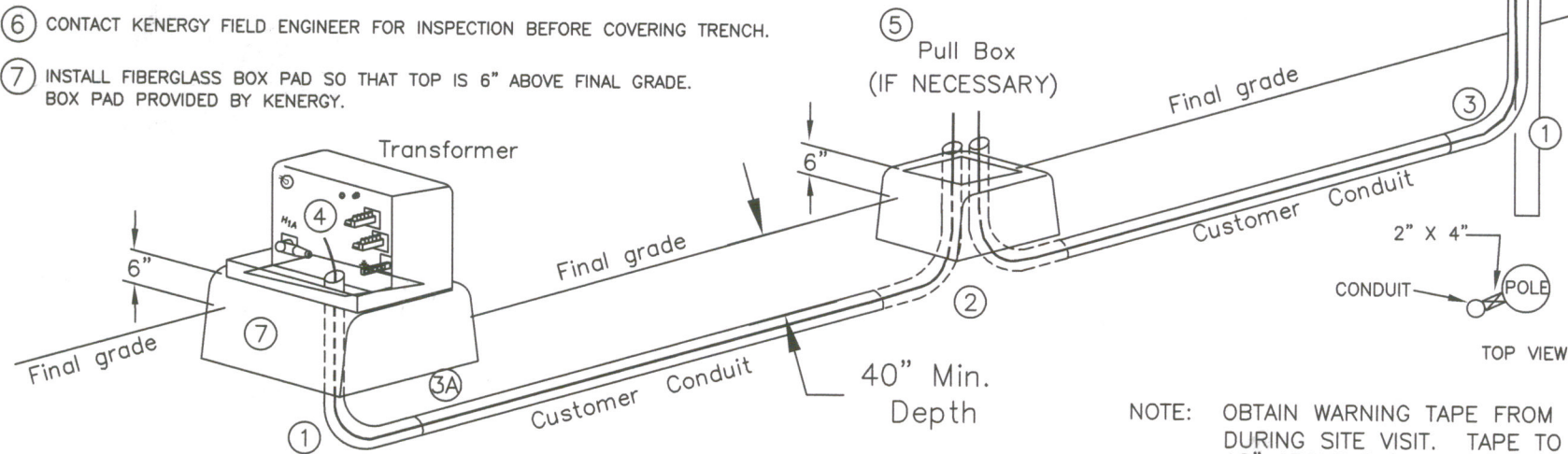
**CALL BEFORE
YOU DIG.
DIAL 811**

UNDERGROUND PRIMARY DIAGRAM

- ① CONDUIT TYPE -
FOR MECHANICAL PROTECTION, CONDUIT SHALL BE 2" SCH. 40 PVC FOR UNDERGROUND, SCH. 80 PVC ABOVE GROUND. ALL ELBOWS TO BE GALVANIZED CONDUIT 24" RADIUS (STANDARD SWEEP).
- EVERY PIPE JOINT MUST BE JOINED WITH PVC GLUE. THERE SHALL BE NO MORE THAN 3-90 DEGREE ELBOWS OR COMBINATION THEREOF. EXAMPLE- 1-90 ELBOW AT THE HOUSE, 1-90 AT THE POLE, PEDESTAL, OR TRANSFORMER AND 1-90 OR 2-45'S CAN BE INSTALLED IN THE REMAINDER.
- ② CONDUIT BURIAL DEPTH -
40" MIN. FROM TOP OF THE CONDUIT TO THE FINAL GRADE. PULLSTRING TO BE INSTALLED AND SHOULD EXTEND A MIN. OF 24" ABOVE EACH END.
- ③ NEW INSTALLATIONS -
TRENCH TO EXTEND TO EXISTING OR PROPOSED POLE. CONDUIT TO EXTEND 12" ABOVE GRADE. COVER ENDS OF CONDUIT TO KEEP DIRT OUT. INSTALL WARNING TAPE 12" ABOVE CONDUIT. SPACING, USE 2" X 4" LUMBER AS A SPACER.
- ③A EXISTING FACILITIES -
TRENCH TO STOP WITHIN 24" OF TRANSFORMER OR PEDESTAL. END OF TRENCH IS TO BE LEFT EXPOSED. COVER ENDS OF CONDUIT TO KEEP DIRT OUT. DIRT OUT. INSTALL WARNING TAPE 12" ABOVE CONDUIT.
- ④ PULL STRING OR ROPE (RATED 50 LBS. MIN.).
- ⑤ PULL BOX LOCATION (IF NECESSARY) TO BE DETERMINED BY KENERGY ENG. INSTALL PULL BOX SO THAT TOP IS 6" ABOVE FINAL GRADE. PULL BOX PROVIDED BY KENERGY.
- ⑥ CONTACT KENERGY FIELD ENGINEER FOR INSPECTION BEFORE COVERING TRENCH.
- ⑦ INSTALL FIBERGLASS BOX PAD SO THAT TOP IS 6" ABOVE FINAL GRADE. BOX PAD PROVIDED BY KENERGY.

NOTE:

IF PIPE JOINTS ARE NOT GLUED OR THE PIPE IS NOT SECURED TOGETHER AND/OR A PULL STRING/ROPE IS NOT IN PLACE, KENERGY CAN NOT COMPLETE WORK AND WILL LEAVE PREMISES UNTIL FACILITIES ARE CORRECTED.



NOTE: OBTAIN WARNING TAPE FROM FIELD ENGINEER DURING SITE VISIT. TAPE TO BE INSTALLED 12" ABOVE TOP OF CONDUIT.

KENERGY CORP
HENDERSON, KY

Underground Primary Wire Diagram

Drawn: DM

Dwg: Kenergy UG Tariff - Primary.dwg

Date Drawn: 11-13-08

Revised: 04-17-09

Scale: NOT TO SCALE

Approved by: