

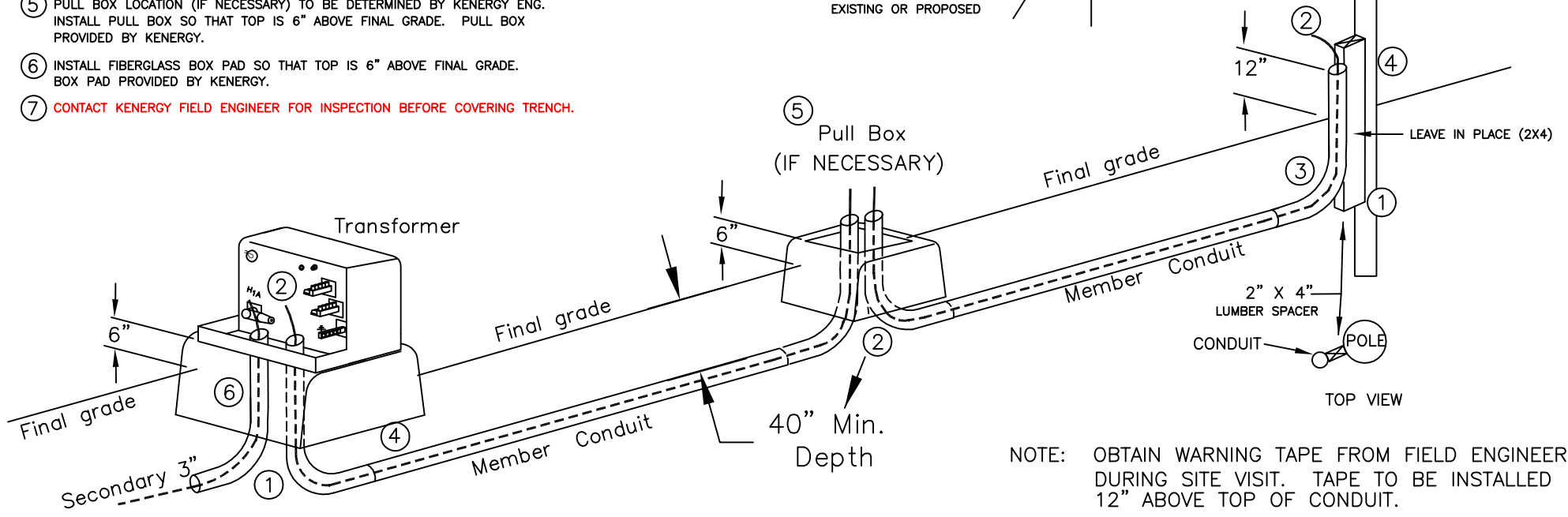
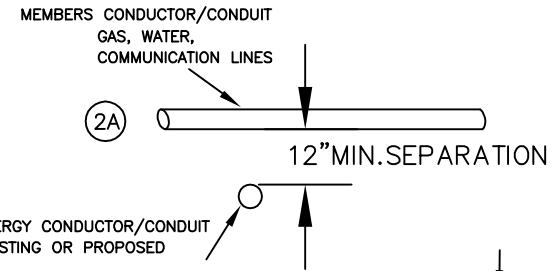
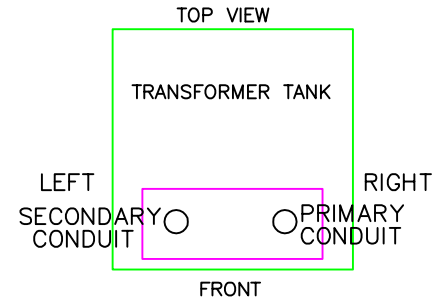
CALL BEFORE YOU DIG. DIAL 811

UNDERGROUND PRIMARY DIAGRAM

NOTE:
IF PIPE JOINTS ARE NOT GLUED OR THE PIPE IS NOT SECURED TOGETHER AND/OR A PULL STRING/ROPE IS NOT IN PLACE, KENERGY CAN NOT COMPLETE WORK AND WILL LEAVE PREMISES UNTIL FACILITIES ARE CORRECTED.

- ① CONDUIT TYPE –
FOR MECHANICAL PROTECTION, CONDUIT SHALL BE 2" SCH. 40 PVC FOR UNDERGROUND, SCH. 80 PVC ABOVE GROUND. ALL ELBOWS TO BE GALVANIZED CONDUIT 24" RADIUS.

EVERY PIPE JOINT MUST BE JOINED WITH PVC GLUE. THERE SHALL BE NO MORE THAN 3-90 DEGREE ELBOWS OR COMBINATION THEREOF. EXAMPLE- 1-90 ELBOW AT THE HOUSE, 1-90 AT THE POLE, PEDESTAL, OR TRANSFORMER AND 1-90 OR 2-45'S CAN BE INSTALLED IN THE REMAINDER.
- ② CONDUIT BURIAL DEPTH –
40" MIN. FROM TOP OF THE CONDUIT AT INITIAL INSTALL AND FINAL GRADE. PULL STRING TO BE INSTALLED AND SHOULD EXTEND A MIN. OF 24" ABOVE EACH END. PULL STRING OR ROPE (RATED 50 LBS. MIN.).
- ②A OTHER UNDERGROUND FACILITIES SHALL HAVE 12" MIN. SEPERATION BETWEEN KENERGY CONDUCTOR/CONDUIT EXISTING OR PROPOSED.
- ③ NEW INSTALLATIONS –
TRENCH TO EXTEND TO EXISTING OR PROPOSED POLE. CONDUIT TO EXTEND 12" ABOVE GRADE, SEAL ENDS OF CONDUIT TO KEEP DIRT OUT. INSTALL WARNING TAPE 12" ABOVE CONDUIT. PROVIDE 4" SPACING FROM POLE BY USING 2"x4" PIECE OF WOOD. KENERGY WILL SUPPLY WARNING TAPE. ISSUED DURING INSPECTION.
- ④ EXISTING FACILITIES –
TRENCH TO STOP WITHIN 24" OF EXISTING TRANSFORMER OR CABINET. END OF TRENCH IS TO BE LEFT EXPOSED. SEAL ENDS OF CONDUIT TO KEEP DIRT OUT.
- ⑤ PULL BOX LOCATION (IF NECESSARY) TO BE DETERMINED BY KENERGY ENG. INSTALL PULL BOX SO THAT TOP IS 6" ABOVE FINAL GRADE. PULL BOX PROVIDED BY KENERGY.
- ⑥ INSTALL FIBERGLASS BOX PAD SO THAT TOP IS 6" ABOVE FINAL GRADE. BOX PAD PROVIDED BY KENERGY.
- ⑦ CONTACT KENERGY FIELD ENGINEER FOR INSPECTION BEFORE COVERING TRENCH.



NOTE: OBTAIN WARNING TAPE FROM FIELD ENGINEER DURING SITE VISIT. TAPE TO BE INSTALLED 12" ABOVE TOP OF CONDUIT.

KENERGY CORP

Underground Primary Wire Diagram

FILE: KENERGY UG PRIMARY TARIFF.DWG

Date Drawn: Revised: 4-1-2020 Scale: NOT TO SCALE